

LAND ROVER TOUCH INTERFACE

Discovery 3(LR3) 2006

Range Rover Sport 2005~, Range Rover 2006~



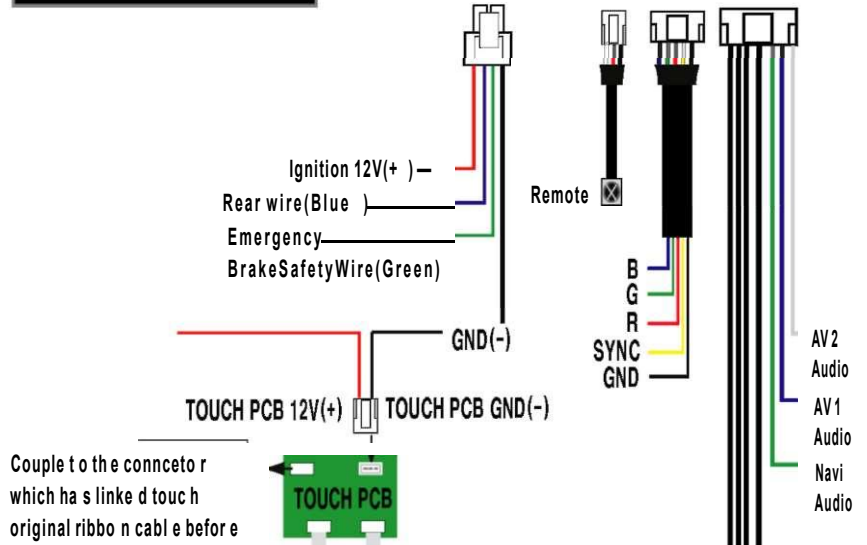
When the interface is set up Original Monitor



Original Monitor



Original GVIF Cable



Couple to the connector which has linked touch original ribbon cable before

Connect to Touch Original ribbon cable

Couple this ribbon cable to touch point of navigation

When the interface is set up Original Navigation



Original GVIF Cable



Original Navigation

After Market Navigation, DVD, Game, TV Tuner FM Transmitter, After Market Monitor



*** Connect Ignition 12V(+) to a switched 12V(+) source.

*** **When shifting into Reverse(Rearview Camera Input) will be displayed automatically on LCD Screen when present. If no Rearview camera present automatically change to Main Screen.**

CAUTION

- * Use caution when mounting the Interface unit in the vehicle.
- * Please turn ignition off and remove key before starting installation process.