

CS9100 Connection in Toyota and Lexus cars produced before 2005 using NAV2NAV V3.0 adapter



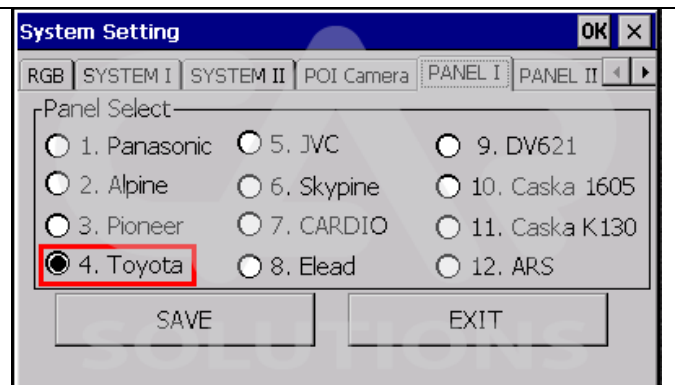
Disconnect negative battery terminal before adapter connection!

Uninstall built-in navigation unit to connect CS9100!

Before connecting CS9100, make sure to activate a corresponding protocol*¹. Select «System Config» (pic. 1) in «Settings» menu and go to «Panel I» tab to select «Toyota» protocol (pic. 2).



Picture 1



Picture 2



Picture 3



Picture 4

Connect wires to connector of NAV2NAV (pic. 3) and car wiring*² (pic. 5) according to table 1.

Set DIP-switches of NAV2NAV adapter into the following position (pic. 4):

|| 1 – **OFF** || 2 – **ON** || 3 – **ON** || 4 – **ON** ||

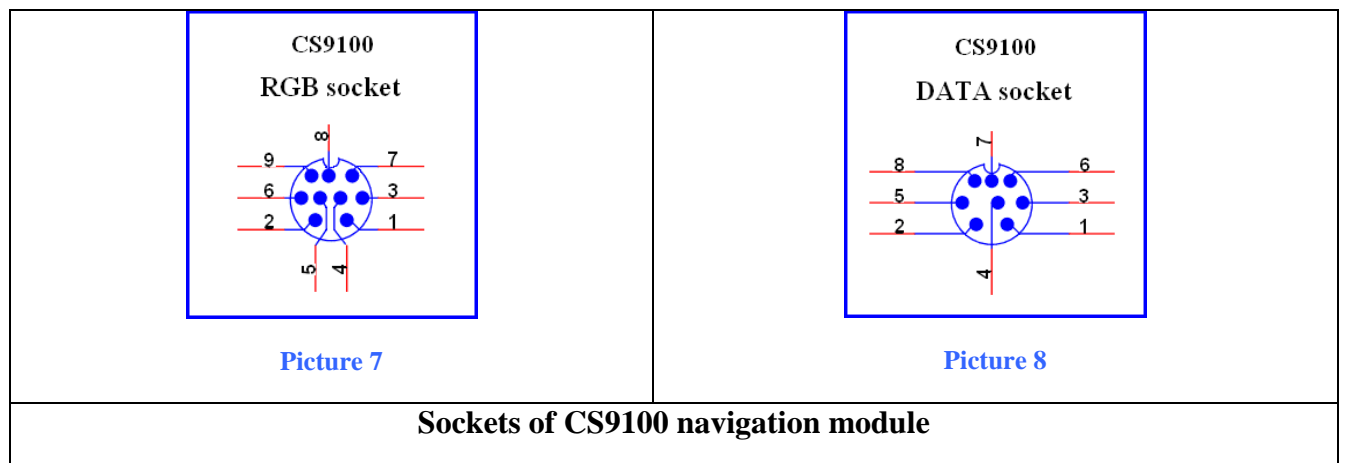
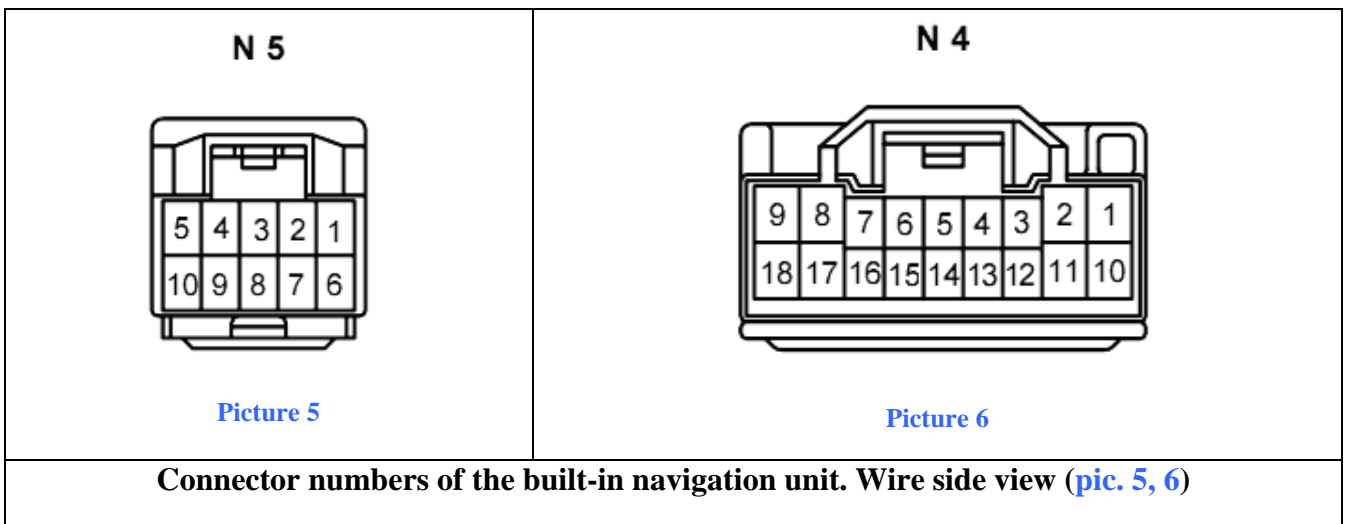
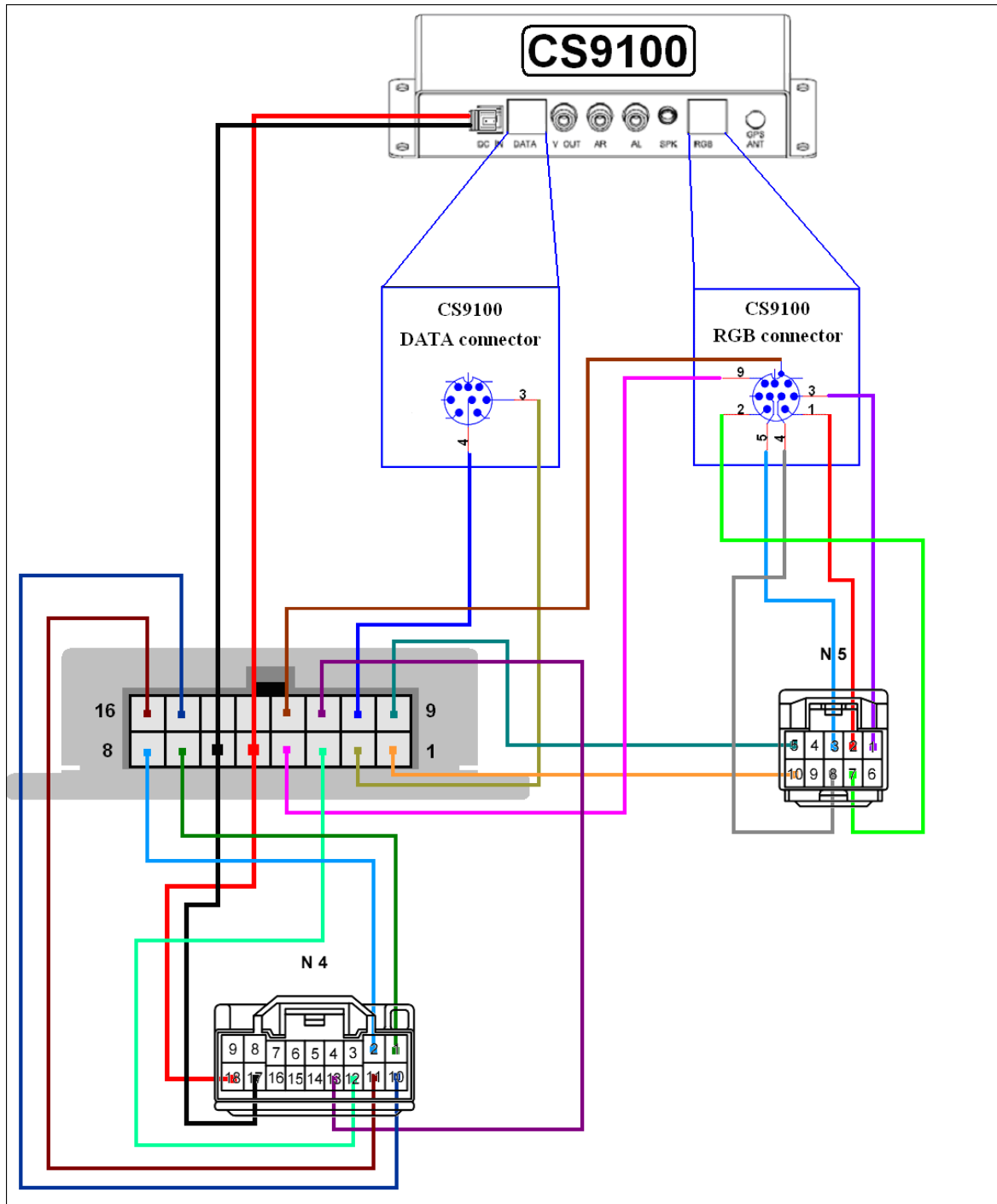


Table 1

Function	Built-in navigation unit connectors (pic.5, 6)	Connector of the NAV2NAV adapter (pic.3)	Connectors of CS9100 (pic.7, 8)
<i>ACC</i>	<i>N4 – 18 (pic.6)</i>	5	<i>ACC (power CS9100)</i>
<i>GND</i>	<i>N4 – 17 (pic.6)</i>	6	<i>GND (power CS9100)</i>
<i>Tx (from CS9100)</i>		2	3 (pic.8)
<i>Rx (from CS9100)</i>		10	4 (pic.8)
<i>AUX+</i>		4	9 (pic.7)
<i>AUX-</i>		12	<i>Housing of 9pin connector (pic.7)</i>
<i>LAN Tx-</i>	<i>N5 – 10 (pic.5)</i>	1	
<i>LAN Tx+</i>	<i>N5 – 5 (pic.5)</i>	9	
<i>RED</i>	<i>N5 – 2 (pic.5)</i>		1 (pic.7)
<i>GREEN</i>	<i>N5 – 7 (pic.5)</i>		2 (pic.7)
<i>BLUE</i>	<i>N5 – 3 (pic.5)</i>		5 (pic.7)
<i>SYNCHRO</i>	<i>N5 – 8 (pic.5)</i>		4 (pic.7)
<i>VGND</i>	<i>N5 – 1 (pic.5)</i>		3 (pic.7)
<i>Vol In+</i>	<i>N4 – 1 (pic.6)</i>	7	
<i>Vol Out+</i>	<i>N4 – 2 (pic.6)</i>	8	
<i>Vol In-</i>	<i>N4 – 10 (pic.6)</i>	15	
<i>Vol Out-</i>	<i>N4 – 11 (pic.6)</i>	16	
<i>BT In+</i>	<i>N4 – 12 (pic.6)</i>	3	
<i>BT In-</i>	<i>N4 – 13 (pic.6)</i>	11	

Connecting **CS9100** navigation unit in **Toyota** and **Lexus** cars produced before 2005 using **NAV2NAV** adapter:



***1** **Toyota** protocol is activated at the pre-shipment stage.



***2** Don't cut off the built-in navigation connector, just connect to car wiring connectors.



This solution had been developed for cars with an external navigation unit (DVD unit).



Calibrate touch screen in **«Setting» -> «Calibration»** when starting the software for the first time.



After the installation had been completed, you may activate the software autostart function (detailed information can be obtained in the **«Autorun_v1.5.pdf»** memory card file).